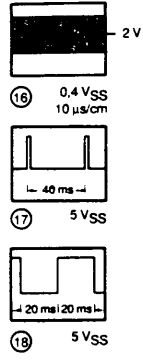
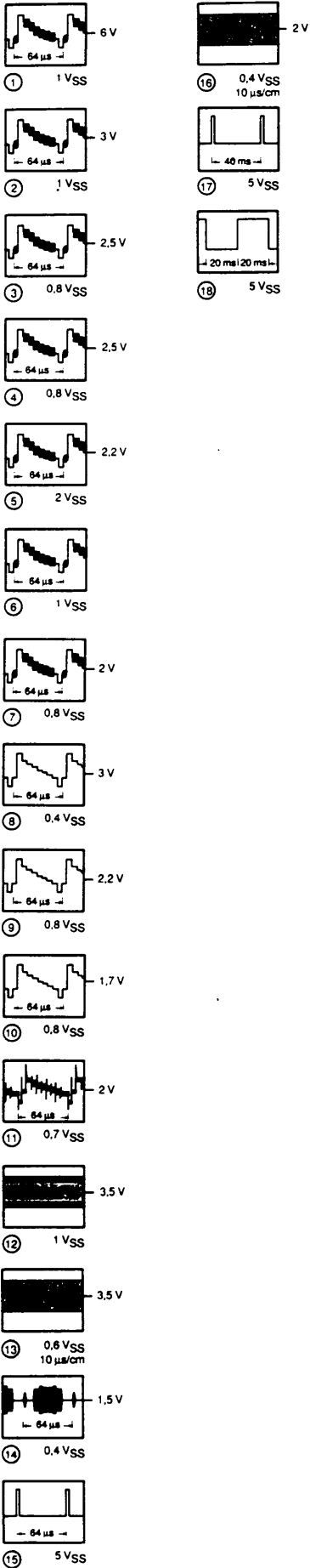
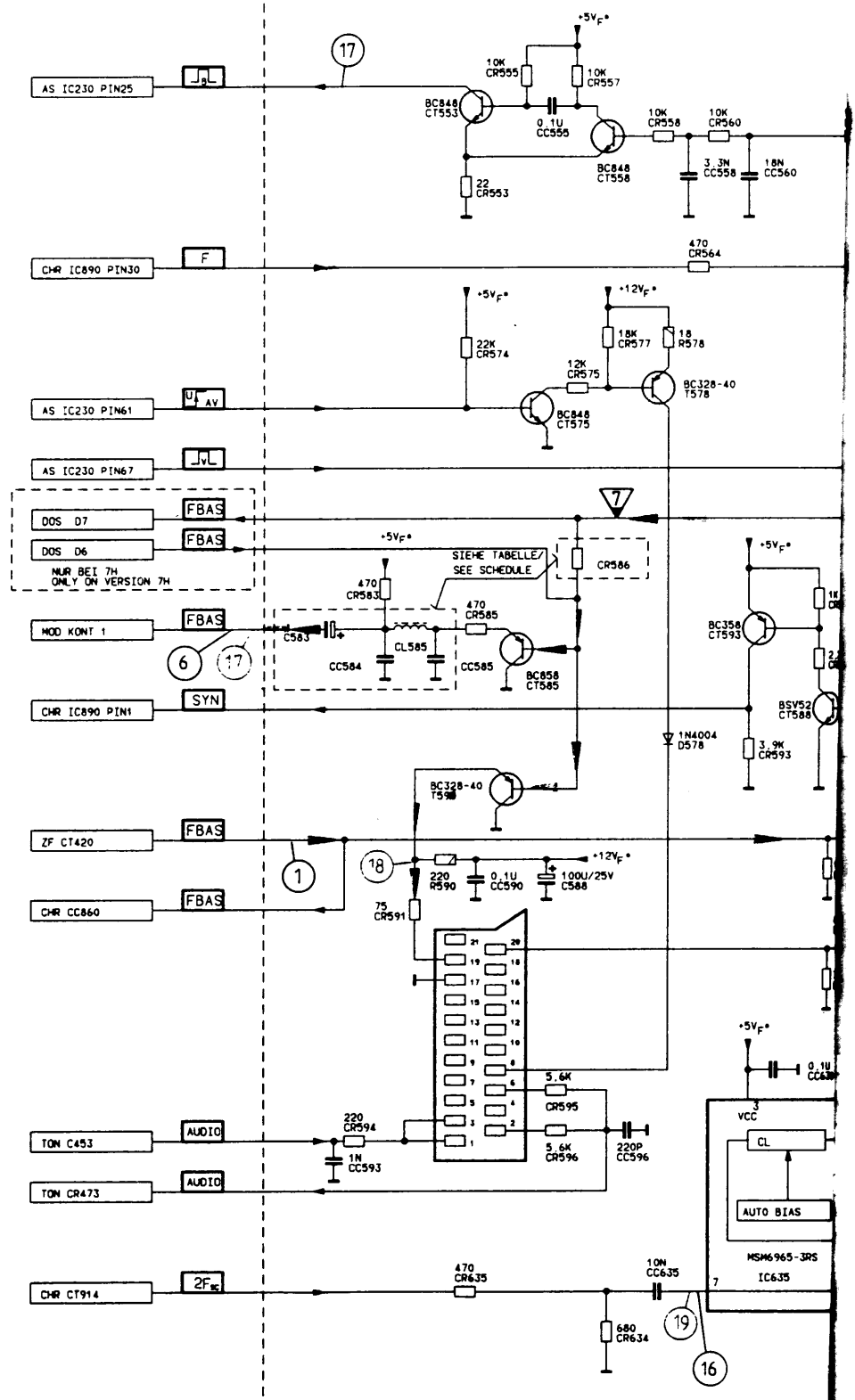


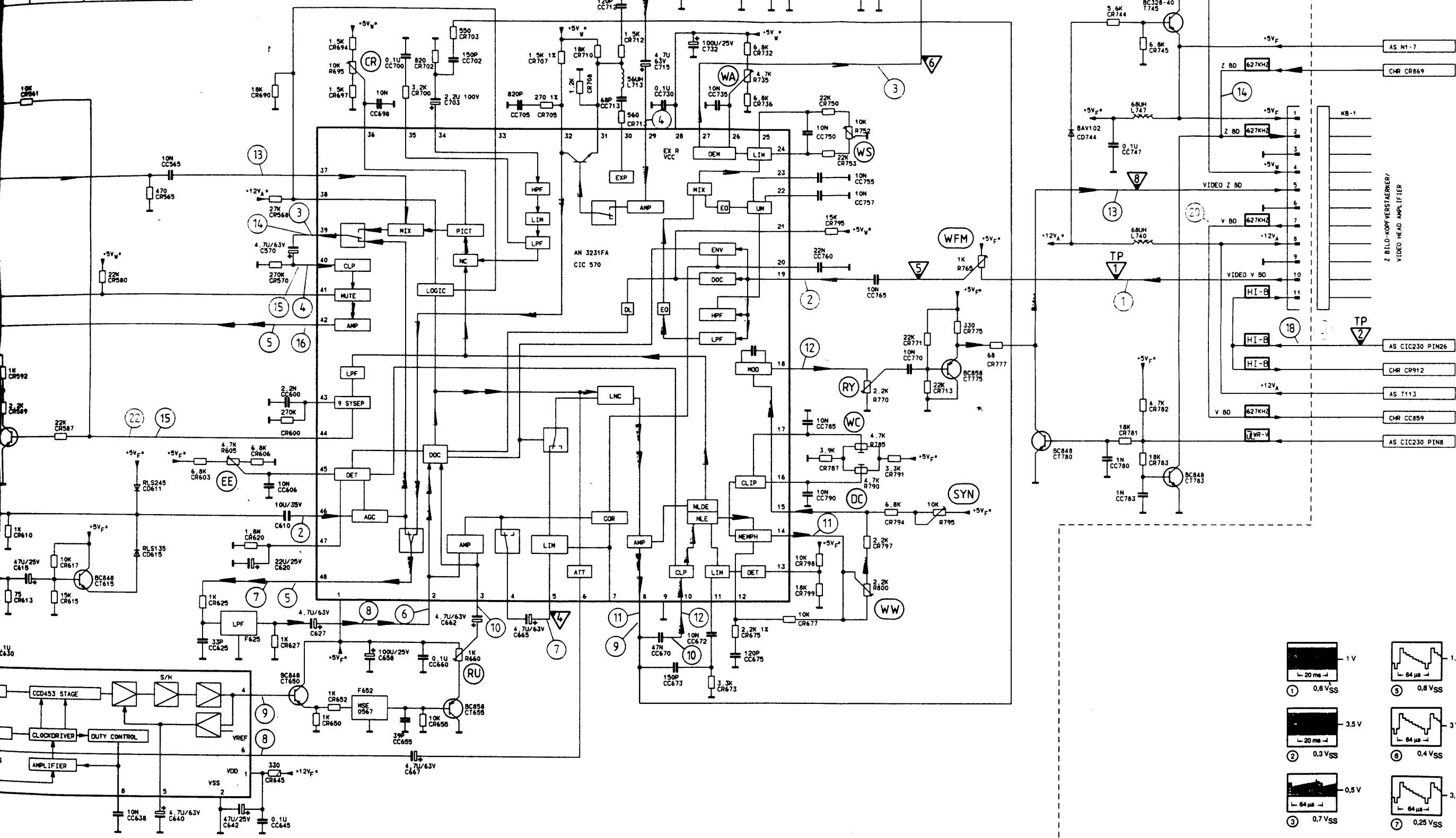
# Aufnahme Record



SCHALTPLAN	TYPE	C 583	CC 584
27505-061.H2	VS 600...		47 pF
27505-061.8H	VS 610...		47 pF



584	CL 585	CC 585	CR 586
22 μH	47 pF	0	
22 μH	47 pF	-	



VIDEO 27505-061.H1/.H2/.7H/.8H 130689

Wiedergabe Playback

- 9 3.5V
- 10 1VSS
- 11 3V
- 12 0.4VSS
- 13 2V
- 14 0.8VSS
- 15 1.8V
- 16 2.2V
- 17 0.4VSS
- 18 2V
- 19 0.8VSS
- 20 2.5V
- 21 0.8VSS
- 22 2.2V
- 23 2VSS
- 24 1VSS
- 25 3V
- 26 2VSS
- 27 1.5V
- 28 0.8VSS
- 29 3V
- 30 0.4VSS
- 31 0.5V
- 32 0.7VSS
- 33 3.5V
- 34 0.25VSS
- 35 3V
- 36 0.25VSS
- 37 2V
- 38 0.4VSS
- 39 3V
- 40 0.25VSS
- 41 5VSS
- 42 3V
- 43 2.5V
- 44 0.25VSS
- 45 1V
- 46 0.8VSS
- 47 1.5V
- 48 0.8VSS
- 49 2V
- 50 0.4VSS
- 51 3V
- 52 0.2VSS
- 53 0.5V
- 54 0.25VSS
- 55 3.5V
- 56 0.25VSS
- 57 3V
- 58 0.25VSS
- 59 5VSS
- 60 3V
- 61 2.5V
- 62 5VSS

Chassisplatte - Video  
Chassis board - Video